

IN-MTBC256RD

Thermal & Optical Bi-spectrum Network Cube Camera



Key Features

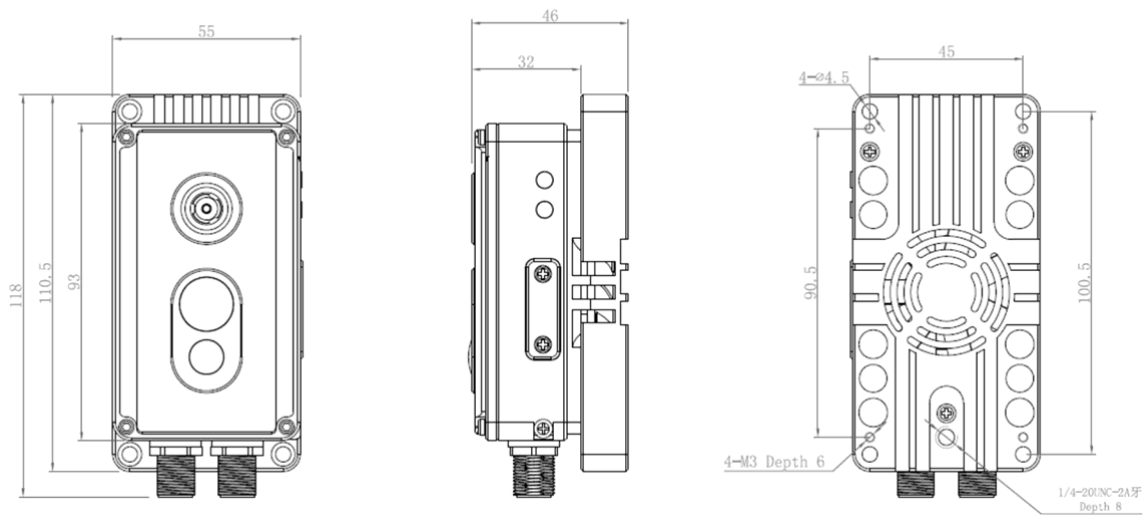
- Uncooled VOx Micro bolometer with 256×192 resolution
- Sensitivity $\leq 60\text{mK}$
- Compact size for narrow space installation
- Support 3 temperature measurement rule types (Spot, Line, Area)
- Temperature range: $-20^{\circ}\text{C} \sim 150^{\circ}\text{C}$ ($-4^{\circ}\text{F} \sim 302^{\circ}\text{F}$)
- Temperature accuracy: $\pm 2^{\circ}\text{C}$, $\pm 2\%$
- Reliable temperature exception alarm function
- Up to 17 pseudo color modes
- Support I/O alarm, RS485, built-in SD card slot
- Industrial grade casing with built-in fan
- 10-30V DC/PoE power supply

Specification

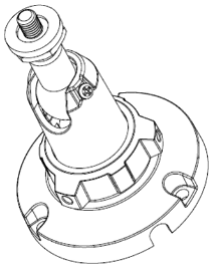
| Thermal Camera | |
|----------------------------|--|
| Detector Type | Uncooled VOx Micro bolometer 256×192 |
| Resolution | 256(H)×192(V), Image can be scaled up to 704×576 |
| Pixel Pitch | 12μm |
| Spectral Range | 8~14um |
| Thermal Sensitivity (NETD) | ≤ 60mK |
| Focus Control | Manual Focus |
| F No. | F1.1 |
| Focal Length | 2.0 mm |
| Angle of View | H: 90°, V:65° |
| Visible Camera | |
| Image Sensor | 1/2.8" Sony CMOS |
| Resolution | 1600 (H)×1200(V) |
| Shutter Speed | 1/5 ~ 1/20,000s |
| Wide Dynamic Range | True WDR 120dB |
| Min. Illumination | Color: 0.1Lux @ (F1.2, AGC ON), B/W: 0.01Lux |
| S/N Ratio | More than 55dB |
| Max Aperture | F2.0 |
| Angle of View | H: 100°, V: 75° |
| Illuminator | |
| LEDs | 1pcs White light |
| Illuminator Range | 0.3m distance: 0.8m×0.8m, 1m distance: 1.8m×1.2m |
| Video and Audio | |
| Main Stream | Visible: 1600×1200, 1280×720 @25/30fps, Thermal: D1 @25/30fps |
| Sub Stream | Visible: D1, VGA, 640×360, CIF, QCIF, QVGA @25/30fps, Thermal: CIF @25/30fps |
| Bit Rate Control | CBR/VBR |
| Bit Rate | Main stream: Visible: 100Kbps~8Mbps, Thermal: 100Kbps~6Mbps Sub stream: Visible: 100Kbps~6Mbps, Thermal: 10Kbps~1.5Mbps |
| Region of Interest | Off / On (8 Zone, Rectangle) |
| Smart Encode | Support |
| Audio Compression | G.711: 8kbps, RAW_PCM: 16kbps |
| Image | |
| Image Setting | Brightness, Sharpness, Contrast, Saturation |
| Mirror | Support |
| Pseudo-color Setting | White-hot/Black-hot/Rainbow/Ironbow etc. up to 17 modes (Thermal) |
| DVE Image Enhance | Support (Thermal) |
| Noise Reduction | 2D/3D DNR |
| Privacy Masking | Support |
| Motion Detection | Support |

| Temperature Detection | |
|---|---|
| Temperature Detection | Support 3 temperature measurement rule types (Spot, Line, Area) |
| Temperature Alarm | Over temperature alarm, Temperature difference alarm |
| Accuracy | ±2°C / ±2% |
| Response Time | ≤ 30ms |
| Temperature Range | -20°C ~ 150°C (-4°F ~ 302°F) |
| Temperature Display | Display in the lower left corner; follow the cursor display of the highest temperature, lowest temperature or average temperature |
| Temperature Measurement Distance (0.1×0.1m) | 3m |
| Network | |
| Protocols | IPv4/IPv6, HTTP, RTSP/RTP/RTCP, TCP/UDP, DHCP, DNS, PPPOE, SMTP, 802.1x |
| Interoperability | ONVIF, CGI, SDK |
| Max. User Access | 10 Users |
| Web Viewer | <IE11, Chrome, Firefox, Microsoft Edge |
| Web Language | English, Chinese, Polish, Italian, Portuguese, Spanish, Russian, French, Czech, Hungarian |
| Interface | |
| Network Interface | 1 Ethernet (10/100 Base-T) RJ-45 Connector |
| Alarm Interface | 1ch input, 1ch output |
| RS232 | Support |
| RS485 | Support |
| SD Card Slot | Support, up to 256GB |
| Reset Button | Support (Built-in) |
| Indicator Light | Power indicator, Network indicator |
| General | |
| Power Supply | 10-30VDC/PoE (IEEE 802.3af) |
| Power Consumption | Max 5.4W |
| Working Temperature | -30°C~60°C(-22°F~140°F) |
| Storage Conditions | 0~ 90% RH |
| Certifications | CE/FCC |
| Ingress Protection | IP67 |
| Casing | Metal |
| Dimensions | 55× 46 × 118mm (2.17 × 1.81 × 4.65 inch) |
| Net Weight | 0.52 kg (1.15 lb) |

Dimensions (mm)



Accessories



Standard